

# MeasurementSet Selection Syntax

S. Bhatnagar  
NRAO, Socorro

June 15, 2007  
(Updated: July 28, 2015)

PDF Version<sup>1</sup>

## Abstract

This note describes the syntax for the various expressions for selecting data from the Measurement Set, implemented in the `MSSelection`<sup>2</sup> module of CASACore. All expressions consist of a comma or semi-colon separated list of specifications. Except channel selection, the final product of parsing the expressions is a Table Expression Node (TEN) which can be used to construct a table with only the selected rows. Higher level global methods to return a selected table, given the user supplied expressions, are also provided as part of this module.

Error handling is done via the C++ exception handling mechanism. The exceptions thrown by the `MSSelection` module are of type `MSSelectionError`<sup>3</sup> which is derived from `AipsError` class. The exceptions generated from each individual expression parser are further specializations of the `MSSelectionError` class. Application layer code therefore can have a finer level control on error handling. The module also support externally plug-able error handlers of type `MSSelectionErrorHandler`<sup>4</sup>. This allows application layer code to have control on the resolution mechanism of the exceptional states that may be reached during the parsing cycle.

The `MSSelection` module can also be used for other tables that follow the general data base design of the `MeasurementSet`. The `CASA CalTables`<sup>5</sup> is an example which also uses the `MSSelection` module for data selection.

---

<sup>1</sup><http://www.aoc.nrao.edu/~sbhatnag/misc/mselection.pdf>

<sup>2</sup>[http://casa.nrao.edu/active/docs/doxygen/html/classcasa\\_1\\_1MSSelection.html](http://casa.nrao.edu/active/docs/doxygen/html/classcasa_1_1MSSelection.html)

<sup>3</sup>[http://casa.nrao.edu/active/docs/doxygen/html/classcasa\\_1\\_1MSSelectionError.html](http://casa.nrao.edu/active/docs/doxygen/html/classcasa_1_1MSSelectionError.html)

<sup>4</sup>[http://casa.nrao.edu/active/docs/doxygen/html/classcasa\\_1\\_1MSSelectionErrorHandler.html](http://casa.nrao.edu/active/docs/doxygen/html/classcasa_1_1MSSelectionErrorHandler.html)

<sup>5</sup>[http://casa.nrao.edu/active/docs/doxygen/html/classcasa\\_1\\_1CalTable.html](http://casa.nrao.edu/active/docs/doxygen/html/classcasa_1_1CalTable.html)

# Contents

<b>1</b>	<b>General Syntax</b>	<b>4</b>
1.1	Number Format . . . . .	4
1.2	Range Specification . . . . .	4
1.3	Units . . . . .	5
1.4	Strings . . . . .	5
1.5	White Spaces (blanks in expressions) . . . . .	6
<b>2</b>	<b>Time Selection</b>	<b>6</b>
2.1	Syntax . . . . .	6
<b>3</b>	<b>Antenna/Baseline Selection</b>	<b>8</b>
3.1	Syntax . . . . .	8
3.1.1	Antenna Specification . . . . .	8
3.1.2	Antenna@Station Specification . . . . .	9
3.1.3	Baseline Specification . . . . .	10
3.1.4	Baseline Negation Operator . . . . .	10
3.1.5	Baseline negation and Regular Expression negation . . . . .	11
3.1.6	Examples . . . . .	12
3.2	Integers-as-names VLA Naming Convention . . . . .	12
<b>4</b>	<b>Field Selection</b>	<b>13</b>
4.1	Syntax . . . . .	13
<b>5</b>	<b>UV Distance Selection</b>	<b>13</b>
5.1	Syntax . . . . .	14
<b>6</b>	<b>Frequency Selection</b>	<b>15</b>
6.1	Spectral Window Specification Syntax . . . . .	15
6.1.1	Selection by ID . . . . .	15
6.1.2	Selection By Name . . . . .	16
6.1.3	Selection By Frequency . . . . .	17
6.2	Channel Specification Syntax . . . . .	17
6.3	Frequency Selection Syntax . . . . .	18
6.3.1	Notes . . . . .	20
<b>7</b>	<b>Polarization Selection</b>	<b>20</b>
<b>8</b>	<b>"Scan intent" Based Selection</b>	<b>21</b>
8.1	Syntax . . . . .	21
8.2	Examples . . . . .	22
<b>9</b>	<b>Scan/Sub-array Selection</b>	<b>22</b>
9.1	Syntax . . . . .	22

<i>MeasurementSet Selection Syntax</i>	3
<b>10 Using <code>MSSelection</code> expressions in TaQL</b>	<b>23</b>
<b>A Appendix: API Note - General Error Handling</b>	<b>25</b>
A.1 Installing Error Handlers . . . . .	25
<b>B Appendix: API Note - Using the <code>MSSelection</code> module for other MS-like Tables</b>	<b>27</b>
B.1 Using <code>MSSelection</code> for <code>CalTables</code> . . . . .	28
<b>C Appendix: Usage Examples</b>	<b>30</b>
C.1 Example 1 . . . . .	30
C.2 Example 2 . . . . .	31
C.3 Example 3 . . . . .	31
C.4 Example 4 . . . . .	32
C.5 Example 5 . . . . .	33
C.6 Example 6 . . . . .	33
C.7 Example 7 . . . . .	34
C.8 Example 8 . . . . .	34
C.9 Example 9 . . . . .	35

# 1 General Syntax

A `MSSelection` expression consists of a comma separated list of specifications. Specifications are typically strings or numbers. Strings and numbers can be mixed to form a single list. Elements of the list which can be converted to integers are treated as integer index specification. Elements which do not get parsed as numbers are treated as strings. Where appropriate, strings are matched against names. Depending upon the content of a string, it can be used as regular expressions or pattern. Where appropriate, physical quantities (numbers with appropriate units) can also be used.

A blank selection expression is interpreted as "no selection to be applied to the MS". Hence a blank expression effectively implies "select all".

## 1.1 Number Format

Integers can be of any length (in terms of characters) and composed of the characters in the range 0-9. Where appropriate, negative values can be given using the '-' character. Floating point numbers can be in the standard format:

- DIGIT.DIGIT : e.g. 10.56
- DIGIT. : e.g. 10.
- .DIGIT : e.g. .56

or in the mantissa-exponent format (e.g. 10.56e-1). If a floating point number is given where only integers are expected (e.g. indexes), the floating point value is truncated to the nearest integer.

## 1.2 Range Specification

Range of numbers (integers or real numbers) can be given in the format  $N0 \sim N1$ . Integer ranges are expanded into a list of integers starting from  $N0$  (inclusive) to  $N1$  (inclusive). Range of real numbers is used to select all values between  $N0$  and  $N1$  (including the boundaries). E.g.

Integer ranges:

- $10 \sim 30$  implies all integers in the range [10,30]
- $10.1 \sim 30.5$  implies all integers in the range [10,30]

Floating point ranges:

- $10 \sim 30$  implies all values in the range [10.0, 30.0]
- $10.5 \sim 30.7$  implies all values in the range [10.5, 30.7]
- $1.05e1 \sim 3.07e1$  implies all values in the range [10.5, 30.7]



- The string "`*BAND*`" will be used as a string pattern for matching. This will also match any string which has the string "BAND" in it.
- The string `/.*BAND.*/` will be used as a regular expression. This will also match any string which has the string "BAND" in it. (`.*` operator has the same meaning as the `'*'` operator of patterns).

## 1.5 White Spaces (blanks in expressions)

In most cases, blanks are treated as white-spaces (i.e., insertion of blanks anywhere in the expression has no effect), except in the case of Field Selection Expressions (see Section 4). Blanks are allowed as part of the field names. Blanks around the delimiting characters (`'`, `,`, `';`, `'&` etc.) are ignored. For field names, blanks after the first valid name character and before the last valid name character are included as part of the name. Hence

- `field=A , B , C` is same as `field=A,B,C`
- `field=A , BB BB , C` is same as `field=A, BB BB,C` (first name is "A", second name is "BB BB" and the third name is "C")
- `baseline=1 , 2 , 3 & 4 , 5 , 6 ; 10 ~ 11 & 20 ~ 30` is same as `baseline=1,2,3&4,5,6;10~11&20~30`

## 2 Time Selection

Time selection expression is a comma separated list of time specifications. Time can be specified in the format `YYYY/MM/DD/HH:MM:SS.FF`. Fields (i.e., `YYYY`, `MM`, `DD`, `HH`, `MM`, `SS` and `FF`), starting from left to right, can be omitted. Omitted fields will be replaced by context sensitive defaults as explained below.

### 2.1 Syntax

Various forms of possible time-selection expression are listed below. `T0`, `T1` and `dT` in the following description are time specifications.

- **time = T0~T1**

Selects all time stamps which satisfy the following condition:

`(TimeStamp >= T0) and (TimeStamp <= T1)`

Fields missing in `T0` are replaced by the fields in the time stamp of the first valid selected row in the MS. Fields missing in `T1` are replaced by the corresponding fields of `T0` (after its defaults are set).

Table 1: Railroad diagram for the syntax of time/time-range selection expression.

Syntax of	Railroad Diagram
TIME Expression	
TIME-RANGE	

- **time = [T0~T1]**

The edges of the range is computed using the Exposure Time. All rows with a time stamp which satisfy the following condition are selected:

$$((\text{TimeStamp} > T0) \text{ or } (\text{abs}(\text{TimeStamp} - T0) < \text{ExposureTime}/2)) \text{ and } ((\text{TimeStamp} < T1) \text{ or } (\text{abs}(\text{TimeStamp} - T1) < \text{ExposureTime}/2))$$

Fields missing in T0 are replaced by the fields in the time stamp of the first valid selected row in the MS. Fields missing in T1 are replaced by the corresponding fields of T0 (after its defaults are set).

- **time = FLOATNUMBER [T0~T1]**

Same as the previous expression with the edges of the range determined using the FLOATNUMBER (in seconds of time) instead of Exposure Time. All rows with a time stamp which satisfy the following condition are selected:

$$((\text{TimeStamp} > T0) \text{ or } (\text{abs}(\text{TimeStamp} - T0) < \text{FLOATNUMBER})) \text{ and } ((\text{TimeStamp} < T1) \text{ or } (\text{abs}(\text{TimeStamp} - T1) < \text{FLOATNUMBER}))$$

Fields missing in T0 are replaced by the fields in the time stamp of the first valid selected row in the MS. Fields missing in T1 are replaced by the corresponding fields of T0 (after its defaults are set).

- **time = T0**

All rows with time stamp that is within an integration time of T0 are selected. Integration time is determined from the first valid selected row (more rigorously, an average

integration time should be computed). Default settings for the missing fields of T0 are as described in bullet (1) above.

- **time = T0+dT**

All rows with time stamp starting from T0 and ending with time value given by T0+dT are selected. Defaults of T0 are set as usual described in bullet (1) above. Defaults for dT are set from the time corresponding to MJD=0. I.e. dT is an specification of length of time from nominal "start of time" (the time stamp of the first valid selected row of the MS).

- **time = >T0**

Selects all times greater than T0.

- **time =<T0**

All rows with time stamp less than T0 are selected. Default settings for T0 are as above.

### 3 Antenna/Baseline Selection

This expression is used to perform baseline based selections. Baseline can be specified as a pair of antenna specifications. Since antenna specification can itself be a list of antennas, the expression allows a rich selection syntax which is simple for simple selections.

ANT in the description below is a comma-separated list of antenna specifications. A baseline specification is an single ANT, ANT followed by an operator or a pair of ANT separated by an operator. A baseline expression is single baseline specification or a semi-colon separated list of baseline specifications.

The full antenna and baseline expression syntax is described in the Railroad Diagram format in Table 2 and explained in the following sections.

#### 3.1 Syntax

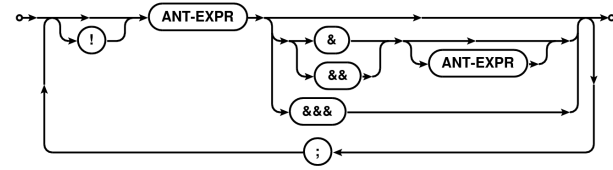
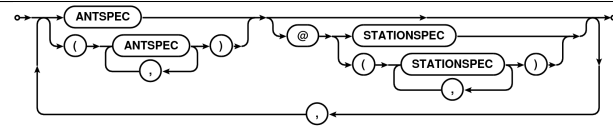
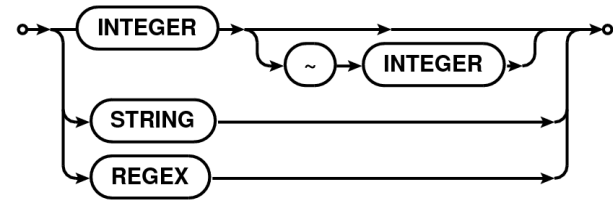
##### 3.1.1 Antenna Specification

An ANT can be given as a single string (section 1.4) (literal/pattern/regular expression), single integer ID, a range (section 1.2) of integer IDs or a comma separated list of integers. For VLA-specific reasons (see Section 3.2), **only** for antenna specifications, integers are first converted to strings and matched against the antenna names. E.g.

- VLA:N1 corresponds to antenna named "VLA:N1".
- 1, 2, 3 corresponds to antennas **named** "1", "2" and "3".
- 1~3 corresponds to antennas **named** "1", "2" and "3".
- VLA:N\* corresponds to all antennas who's name starts with "VLA:N".



Table 2: Railroad diagrams for the syntax of full baseline selection expression. Note that this is also referred to as “antenna selection” expression.

Syntax of	Railroad Diagram
BASELINE Expression	
Antenna Expression (ANT-EXPR)	
Antenna/Station Spec. (ANTSPEC, STATIONSPEC)	

The precise logic applied to the antenna specification (ANT) is as follows:

1. If ANT is an integer index (or a list or range (section 1.2) , it is first used as a name (e.g. the index 1 is converted to a string "1" etc.) and matched against the `NAME` column of `ANTENNA` sub-table. If no match is found, it is treated as an integer index and matched against the antenna indices.
2. If ANT is a string which cannot be converted to an integer, it is first matched against the `NAME` column of the `ANTENNA` sub-table. If no match is found, match against the `STATION` column is attempted.

### 3.1.2 Antenna@Station Specification

A fully qualified antenna specification can also include the station name via the `ANT@STATION` syntax. `STATION` specification follows the same rules as antenna specification. When antenna or station in a `ANT@STATION` syntax is a comma-separated list, the list must be enclosed in a left- and right-parenthesis pair to distinguish it from a comma-separated list of `ANT@STATION` (i.e., "A1@S1, A2@S2, A3@S3" versus "(A1,A2,A3)@(S1,S2,S3)"). All antennas in the `ANT` part of the specification on *any* of the stations in the `STATION` part of the specification will be selected. The `ANT` part of the specification is optional and when not specified is replaced with the wild-card "\*" (i.e. "@STATION" is equivalent to "\*@STATION").

The two forms of specifications that are interpreted differently are:

1. List of ANT@STATION: A1@S1, A2@S2, A3@S3, . . . .
2. (List of ANT)@(List of STATION): (A1, A2, A3)@(S1, S2, S3)

First form is similar to the comma-separated list of antenna specifications used to construct the baseline to be selected (see Section 3.1.3). The latter will select all members of the antenna list that are on any of the stations listed in the station list. E.g. if antenna A1 appears on stations S1 and S3, both will be selected in the second form, but only the antenna A1 on station S1 will be selected in the first form. Note that the second form of specification can itself be a member of a comma-separated list.

### 3.1.3 Baseline Specification

A baseline specification consists of an ANT followed by an operator or a pair of antenna specifications separated by an operator. Operator can be one, two or three ampersands (' & '):

Table 3: Table of allowed baseline selection operators and their meaning.

The operator	Operation
&	Select only cross-correlation data
& &	Select cross- <i>and</i> auto-correlation data
& & &	Select <i>only</i> auto-correlation data

Possible forms of baseline specifications are tabulated in Table 4. Formally, baseline specification is of the form [ ! ] ANT [ <OP> [ ANT ] ] (where the parts in square brackets are optional and <OP> can be ' & ', ' & & ' or ' & & & ').

### 3.1.4 Baseline Negation Operator

The negation operator ' ! ' can be used to exclude a baseline specification from the final selection. The negation operator applies to the single expression only. Hence in a compound expression (collection of expressions separated by “;”), if a baseline specification is negated in one expression and included in a following expression, it will *not* be excluded from the selection. *Note that this is a baseline negation operator and not an antenna negation operator.* The negation operator applies only to the baseline specification *immediately* following it. E.g.,

- baseline=!15 excludes all baselines with the antenna **named** "15"
- baseline=!1~10 excludes **all** baselines involving the antennas **named** between "1" and "10"
- baseline=!1, 3, 5, 7, 9 excludes all baselines involving antennas **named** "1", "3", "5", "7" and "9"

Table 4: Baseline specification syntax: ANT, ANT1 and ANT2 in the table below represent a comma-separated list of antennas names or a list of ANT@STATION specifications. ANT and STATION in ANT@STATION can themselves be comma-separated lists enclosed in braces.

Specification	Meaning
ANT	Select only cross-correlation baselines between all the antennas in ANT and <i>all</i> other available antennas
ANT&	Select only cross-correlation baselines between antennas in ANT only
ANT1 & ANT2	Select only cross-correlation baselines between antennas in ANT1 and ANT2
ANT&&	Select cross- <i>and</i> auto-correlation baselines between all the antennas in ANT only
ANT&&*	Select cross- <i>and</i> auto-correlation baselines between all the antennas in ANT and <i>all</i> other available antennas
ANT1 && ANT2	Select cross- <i>and</i> auto-correlation baselines between antennas in ANT1 and ANT2
ANT&&&	Select <i>only</i> auto-correlation baselines for antennas in ANT
!ANT	Excludes all baselines involving antennas in ANT. ANT can be any of the above expressions
ANT1 ; !ANT2	ANT1 and ANT2 can be any of the above expressions. This selects only cross-correlation baselines between all the antennas in ANT1 and <i>all</i> other available antennas <b>except</b> those involving antennas in ANT2.
A1@S1	Select baselines with antenna A1 on station S1 only
(A1, A2) @ (S1, S2)	Select baselines with antenna A1 on station S1 or S2 and antenna A2 on station S1 or S2

- `baseline=1~10;!5` selects all baselines involving antennas **named** between "1" and "10" *except* those involving antenna **named** "5".

Note that the negation operator *cannot* be applied to individual members of the antenna specification/antenna list. E.g. the expression "1, 2, !5, 8" is syntactically incorrect.

### 3.1.5 Baseline negation and Regular Expression negation

Since antenna names in a antenna/baseline selection can be a regular expression or a pattern, one can precede a name, pattern or regex by `^` (the regular expression negation operator) to negate that name. Thus

`^VLA:N*`

means all antennas *except* `VLA:N*`. Note that `^VLA:N*` and `!VLA:N*` are very different. The first one forms all cross-correlation baselines of the antenna in the remaining arms with

all antenna (also VLA:N antenna). Thus  $\wedge$ VLA:N\* is the same as VLA:[SE]\*. The second one has all baselines between the antenna in the remaining arms, but also autocorr between VLA:N antenna.

### 3.1.6 Examples

In the most common usage, an atomic ANT selects all baselines containing all the antennas in ANT. ANT& selects only baselines between the list of antennas in the antenna specification. ANT1&ANT2 selects baselines between antennas in ANT1 and ANT2 only. E.g.

- baseline=1, 2, 3 selects baseline between antennas 1, 2 and 3 and all other antennas.
- baseline=1, 2, 3& selects baseline between antennas 1,2 and 3 only.
- baseline=1, 2, 3 & 4, 5, 6 selects baselines between antennas 1,2,3 and 4,5,6.

Following are more examples of baseline specification using ranges and names:

- baseline=1~3 same as baseline=1,2,3
- baseline=1~3& same as baseline=1,2,3&
- baseline=1~3 & 4~5 same as baseline=1, 2, 3&4, 5, 6
- baseline=VLA:N\* & VLA:E\* selects all baselines between antennas with names starting with "VLA:N" and "VLA:E".
- baseline=21; !15 selects baselines between antenna **named** "21" and all other available antennas, *except* antenna **named** "15". I.e, baseline "21-15" (or its conjugate, if present in the database) is excluded.

The full baseline selection expression is any of the examples shown above or a semi-colon-separated list of baseline specifications. E.g.

- baseline=1~3& ; 4~5&10~15 ; VLA:N\* & VLA:E\*

with each elements of the semi-colon separated list being interpreted as explained above.

## 3.2 Integers-as-names VLA Naming Convention

Antenna naming convention for VLA is such that the antenna names are actually valid integers converted to strings. While we feel that this is indeed a bad idea and it will be best to translate the VLA antenna names to something like VLA1, VLA2 in the CASA VLA filler (or something that does reflect that its a name and not get confused with integer indexes), for now, to accommodate the VLA tradition, the following logic is used:

*Just for antenna selection, a user supplied integer (or integer list) is converted to a string and matched against the antenna name. If that fails, the normal logic of using an integer as an integer and matching it with antenna index is done.*

For example, if the antenna with index 17 is named "21", the string "`21,VLA22`" will expand into an antenna index list of 17,22 (assuming that the antenna named VLA22 has index 22).

If we conclude that this style of antenna selection is indeed the way we wish to go, users should be aware that the antenna selection will behave differently for telescopes other than VLA. For example, assuming that antenna with names "21","17", and "11" have indices 1,2 and 3, for VLA only a selection string "21,17,11" will select antenna with indices 1, 2 and 3. For other instruments where this is not the naming convention, the same selection string ("21,17,11") will select antennas with indices 21, 17, and 11.

## 4 Field Selection

### 4.1 Syntax

Field specifications can be literal field names, regular expressions or patterns. Leading and trailing blanks are stripped from the user supplied field specifications as well as from the entries of the NAME and field codes before being used for matching.

Since none of the following characters are used as part of the FIELD selection expressions, they can also be used as part of field names: ";", "\$", "%", "!", "@", and "#"<sup>7</sup>.

Fields for which the entry in the NAME column of the the FIELD sub-table match the literal field name/regular expression/pattern are selected. If a field name/regular expression/pattern fails to match any field name, the given name/regular expression/pattern are matched against the field code. If still no field is selected, an exception of type `MSSelection-FieldParseError` is thrown.

Field specifications can also be give by their integer IDs. IDs can be a single ID or a range (section 1.2) of IDs ( $N_0 \sim N_1$ ). Field ID selection can also be done using a boolean expression. For a field specification of the form "`>ID`", all field IDs greater than ID are selected. Similarly for "`<ID`" all field IDs smaller than ID are selected.

The field selection expression is a comma-separated list of field specifications. E.g.

- `field=1, 2, 3, 4` selects field IDs 1,2,3 and 4
- `field=1~4` same as above
- `field=1~4, VIRGO A , 3C*` selects field IDs 1,2,3,4 field named "VIRGO A" and all fields with names starting with "3C".

## 5 UV Distance Selection

The UV-distance expression can be used to select data that lines within a given range of uv radius. The syntax is described as a railroad diagram in Table 5 and explained in sections below.

<sup>7</sup>In case users loose their patience with the NRAO Observation Preparation Tool (NRAO OPT) and start giving field names like "@#!\$%;", to them we can say "...we understand." ☺

Table 5: Railroad diagrams for the syntax of UV-distance selection expression.

Syntax of	Railroad Diagram
UVDIST Expression	
UVDIST-UNIT	
UVDIST-PERCENT-EXPR	

### 5.1 Syntax

A uv-distance specification is given as a physical quantity (number with units in the format NUMBER [UNIT] [ :NUMBER% ] where syntax in square brackets is optional). This is referred to as UVDIST in the description below. Units are optional with the default unit being meter. Units can be specified as "m"/"M" (for Mega) or "k"/"K" (for Kilo) followed by "m"/"M" (for meter) or "lambda"/"LAMBDA" (for wavelength). User supplied values are converted to internal Measurement Set units using the spectral window sensitive reference frequency.

If only a single UVDIST is specified, all rows that exactly match the given UVDIST are selected. When UVDIST is given as a range (section 1.2) in the format N0~N1 [UNIT] (where N0 and N1 are valid numbers), all rows corresponding to the uv-distance between N0 and N1 (N0 and N1 included) are selected.

Rows can also be selected via boolean expressions. When specified in the format ">UVDIST", all rows with uv-distance greater than the given uv-distance (converted to the appropriate units) are selected. When specified in the format "<UVDIST", all rows with uv-distance less than the given uv-distance (converted to the appropriate units) are selected.

The :NUMBER% syntax can be used to selected rows with uv-distance within an equal range on either side of a given range. All rows with uv-distance between ±N percent of the uv-range determined by the uv-distance expression in appropriate units are selected.

The full uv-distance selection expression is a comma-separated list of any of the above mentioned uv-distance specifications. E.g.

- `uvdist=100Klambda` selects all baselines for which  $\sqrt{u^2 + v^2}$  is equal to 100 Kλ.

- `uvdist=100Km` selects all baselines for which  $\sqrt{u^2 + v^2}$  is equal to 100 Km.
- `uvdist=100~200Klambda` selects all baselines for which  $\sqrt{u^2 + v^2}$  is in the range [100, 200] K $\lambda$ .
- `uvdist=>100Klambda` selects all baselines for which  $\sqrt{u^2 + v^2}$  is greater than 100 K $\lambda$ .
- `uvdist=<100Klambda` selects all baselines for which  $\sqrt{u^2 + v^2}$  is less than 100 K $\lambda$ .
- `uvdist=<100Klambda:5%` selects all baselines for which  $\sqrt{u^2 + v^2}$  is less than 100+5 K $\lambda$ .
- `uvdist=100~200Klambda:5%` selects all baselines for which  $\sqrt{u^2 + v^2}$  is between 100-5 and 200+10 K $\lambda$ .

## 6 Frequency Selection

Frequency selection expression consists of two specifications separated by colon (':') in the form:

```
SPWSPEC [:FREQSPEC]
```

where SPW is the spectral window specification and FREQSPEC is the optional frequency specification for selection within the selected spectral windows. When channel specification is omitted, all channels of the selected SPW are selected.

SPWSPEC and FREQSPEC allow use of semi-colon separated lists. As a result, list of SPWSPEC can be given in two ways: (1) a semi-colon separated list, (2) coma separated list. This allows simple selections to remain simple and more complex selections consistent with the syntax for FREQSPEC list.

The full syntax is shown in the Railroad Diagram format in Table 6 and explained in the following sections.

### 6.1 Spectral Window Specification Syntax

Spectral windows (SPW) specification can be of the following types:

1. an integer ID
2. a name (as a literal string (section 1.4) for exact match or a regular expression/pattern)
3. a frequency value (value with a unit).

#### 6.1.1 Selection by ID

SPWSPEC can be single integer, a list or a range of integers. It can also be a list of boolean expressions involving IDs. E.g.

- `spwspec=">ID"` will select all SPWs with ID greater than the specified value.

Table 6: Railroad diagrams for the syntax of full frequency selection expression.

Syntax of	Railroad Diagram
SPWSPEC[:FREQSPEC] expression	
SPWSPEC	
FREQSPEC	
RANGESPEC	

- spwspec="<ID" will select all SPWs with ID lesser than the specified value.
- spwspec=1, 2, 3 selects spectral window IDs 1,2 and 3
- spwspec=1 ; 2 ; 3 same as above. This style can be used along with FREQSPEC
- spwspec=1~3 same as above

### 6.1.2 Selection By Name

SPWSPEC can be a name or a list of names which will be matched against the NAME column of the SPECTRAL\_WINDOW. The name can be a string for literal matching, or a regular expression or a pattern. All SPWs that match the given name will be selected. E.g.

- spwspec="LBAND" will select a SPW named "LBAND".
- spwspec="SUBBAND\*" will select all SPWs with the name starting with "SUBBAND".



- `spwspec="SUBBAND*0"` will select all SPWs with name starting with "SUBBAND" and ending with "0".

### 6.1.3 Selection By Frequency

SPWSPEC can also be constructed using the reference frequency of the SPWs. The reference frequency is defined as the average of the frequency corresponding to the first and the last channel for each SPW. A single frequency specification is used for exact match with the reference frequency. A range (section 1.2) of frequencies are used to select all SPWs with the reference frequencies within the given range. The allowed units are Hz, KHz, MHz, GHz or THz. E.g.

- `spwspec=">FREQ"` will select all SPWs, the reference frequencies of which are greater than the given frequency converted to Hz.
- `spwspec="<FREQ"` will select all SPWs, the reference frequencies of which are greater than the given frequency converted to Hz.
- `spwspec=327MHz` selects spectral window with a reference frequency equal to 327.0 MHz
- `spwspec=327~610MHz` selects all spectral windows with reference frequencies in the range [327.0, 610.0] MHz.
- `spwspec=1421MHz, 1422MHz, 1423MHz` selects SPWs with reference frequency 1421.0, 1422.0 and 1423.0 MHz.
- `spwspec=1421MHz; 1422MHz; 1423MHz` same as above. This style can be used along with FREQSPEC.
- `spwspec=>327MHz` selects all spectral windows with reference frequency greater than 327.0 MHz
- `spwspec=<327MHz` selects all spectral windows with reference frequency less than 327.0 MHz

## 6.2 Channel Specification Syntax

Channel specification<sup>8</sup> (referred to as FREQSPEC in the following description) is a START, STOP, STEP tuple corresponding to the first frequency channel, the last frequency channel and the step size to increment from the first to the last channel. The START and STOP part of the tuple can be range (section 1.2) specification for the range [START, STOP] followed by an optional STEP size.

---

<sup>8</sup>The `MSSelection` module is currently used to only parse the channel selection expression to produce the START,STOP,STEP tuples. No channel based selection is actually applied to the data. The list of tuples per SPW is passed to the application program layer and the interpretation of the tuples for actual selection depends on the application programmer.

START and STOP part of the tuple can be specified as a single integer or physical quantity or as a range (section 1.2) of integers or physical quantities. A single integer is treated as a channel index and the tuple corresponds to [ID,ID,1]. A single physical quantity is matched with the exact frequency value of the channels and tuple of matched channel index is constructed as [ID,ID,1]. A range (section 1.2) of integers given as  $N_0 \sim N_1$  is used to construct a tuple  $[N_0, N_1, 1]$ . Similarly for a range of physical quantities.

If a START,STOP part of the tuple specification is followed by "STEP", the STEP is used as the third value of the tuple. STEP specification is a single integer or physical quantity. E.g.  $0 \sim 10^2$  is converted to a START, STOP, STEP tuple  $[0, 10, 2]$ .

A channel selection expression is a semi-colon separated list of channel specifications. E.g.

- `chanspec=1;2;3` selects channels 1,2 and 3.
- `chanspec=1~3` selects channels 1,2 and 3.
- `chanspec=0~10^2` selects channels in the range  $[0, 10]$  with a step size of 2
- `chanspec=1421MHz` selects a frequency channel corresponding to the frequency 1421.0 MHz
- `chanspec=1421~1500MHz` selects all channels in the range  $[1412.0, 1500.0]$  MHz
- `chanspec=1421~1500MHz^10KHz` selects all channels in the range  $[1421.0, 1500.0]$  MHz in steps of 10 KHz.
- `chanspec=1421~1500MHz^10KHz ; 0~10^2 ; 20 ; 30 ; 40` selects all channels in the range  $[1421.0, 1500.0]$  MHz in steps of 10KHz, all channels with indexes in the range  $[0, 10]$  in steps of 2 channels and channels 10, 20 and 30.

### 6.3 Frequency Selection Syntax

The specifications for SPW and channels can be combined to form a fully qualified frequency selection expression of the form `SPWSPEC[:FREQSPEC]` (square brackets indicate that `:FREQSPEC` is optional). A frequency selection expression is a comma-separated list of `SPWSPEC[:FREQSPEC]` specifications. Channel selections apply to all SPWs selected by the SPWSPEC on the left of ':'. E.g.

- `freq=LBAND:1421~1500MHz^10KHz , 327MHz:300~400MHz, 0~4:0~10^2 , 5:20;30` selects
  - all channels corresponding to channels in the range  $[1421.0, 1500.0]$  MHz for the SPW named "LBAND", and
  - all channels corresponding to the range  $[300.0, 400.0]$  MHz for the SPW with a reference frequency of 327.0 MHz, and
  - Channels in the range  $[0, 10]$  in steps of 2 for all SPWs with IDs in the range  $[0, 4]$ , and

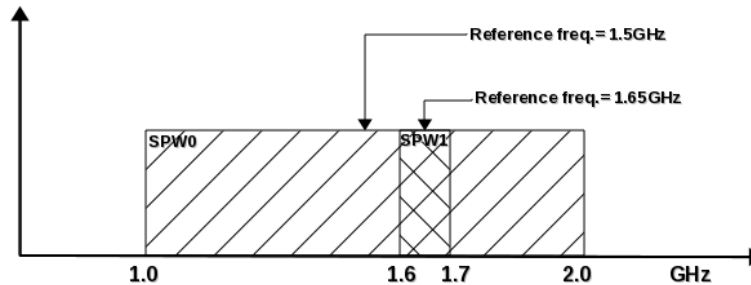


Figure 1: Frequency setup with two overlapping SPWs.

- Channels 20, 30 and 40 for SPW 5
- `freq=1421Mhz;1422Mhz;1423Mhz : 0;1;2;10~20;30~100~10 , 0~3:10~30`  
selects
  - Channels 0, 1, 2 for SPWs with reference frequency of 1421.0, 1422.0 and 1423.0 MHz.
  - Channels 10 to 20 in step of 1 channel for SPWs with reference frequency of 1421.0, 1422.0 and 1423.0 MHz.
  - Channels 30 to 100 in steps of 10 channel for SPWs with reference frequency of 1421.0, 1422.0 and 1423.0 MHz.
  - Channels 10 to 30 in step of 1 channel for SPW IDs 0 to 3 in step of 1.

Figure 1 shows an example frequency setup to motivate the need to separate the full frequency selection expression into SPWSPEC and FREQSPEC parts. SPW0 covers the frequency range 1.0–2.0 GHz with SPW1 overlapping in the range 1.6–1.7 GHz, with a reference frequency of 1.5 GHz and 1.65 GHz respectively. With independent specifications for SPW and channel selection, selection expressions can be constructed to select channels from SPW0 or SPW1 or from SPW0 and SPW1. E.g.

- `freq= *` : 1.6~1.7GHz will select all channels from SPW0 and SPW1 that are in the range
- `freq= 1.5~1.65GHz` : 1.6~1.7GHz is the same as above (selecting SPWs via reference frequency specification)
- `freq=1.5GHz` : 1.6~1.7GHz will select all channels from only SPW0 that are in the range
- `freq=0` : 1.6~1.7GHz will select all channels from only SPW0 that are in the range
- `freq=1.65GHz` : 1.6~1.7GHz same as above, with SPW1 selected via integer ID
- `freq=1` : 1.6~1.7GHz same as above, with SPW1 selected via integer ID

### 6.3.1 Notes

1. For channel specifications of the type  $N1 \sim N2 : c0 ; c1 ; c2 ; c3 \text{MHz}$  the list of channel selection is applied to all SPWs in the range  $[N0, N1]$ .  $c3$  is converted from physical units to channel index by using the channel width from SPW  $N1$ . Is it better to use the min. chan. among the selected SPWs?
2. If channel range is out of bounds, it will be brought within bounds per SPW. If the lower limit of a range is greater than the available outer limit, exception is generated. If the lower limit is less than zero, it is set to zero. If upper limit is greater than the available outer limit, it is set to the available outer limit.  
  
If a single channel specification is greater than the available outer limit, an exception is thrown. If it is less than zero, it is set to zero.
3. For ranges of physical values, it is assumed that the spectral window sub-table's `CHAN_FREQ` column has ordered list of channel frequencies.

## 7 Polarization Selection

The structure of the Measurement Set allows independent set up for the frequency and polarization description of the data<sup>9</sup>. E.g., it is valid to have data at 1420MHz, with some fraction of the data recorded with only parallel hand polarizations (e.g. "RR" and "LL") and some fraction of the data recorded in full polarization mode (e.g. "RR", "LL", "RL", and "LR"). Note however that a polarization set up describes a spectral window and not the individual frequency channels in a spectral window.

Consequently, polarization selection expressions may need to be qualified with the spectral window and polarization ID specification as well. Therefore, current the polarization selection expressions are of the type  $[SPW:]POL$ <sup>10</sup>. The `SPW` part of such expressions follow the syntax of the Spectral Window Selection expression (see Section 5.1) – except that the channel specifications are not allowed here.

As with other expressions, the polarization selection expression also consists of comma separated list of full specifications. The separator for lists for the individual parts of the specification (i.e. `SPW`, `POL`, etc.) is semi-colon. However note that if the optional qualifiers are omitted (i.e., `SPW` etc.), either of the separators can be used (comma or semi-colon). Thus "RR;LL" is equivalent to "RR,LL".

The `POL` specification is a semi-colon separated list of polarization products (i.e., it is a baseline based selection). E.g. `POL` can be "RR" or "LL" or "RR;LR" or "RR;LL;LR;RL", etc. Without the qualifiers, comma can also be used as a separator. Polarization specifications in the list can be in any order. A number of  $[SPW:]POL$  specifications can be given as a comma separated list. E.g.

---

<sup>9</sup>The combined main-table descriptor for spectral windows and polarization is the Data Description ID (DDID). DDID represents a two-level indirection based on the the Spectral Window and Polarization sub-tables (which are the real astrophysically relevant parameters of the database).

<sup>10</sup>A full specification of the type  $[ [POLID:] [SPWID:]POL$  or  $[DDID:]POL$  will be implemented in future.

- "poln=RR" will select data corresponding to RR polarization product only.
- "poln=RR,LL,LR,RL" will select all polarization products.
- "poln=RR ; LL ; LR ; RL" same as the previous expression.
- "poln=0:RR;LL , 1:LR;RL" will select RR and LL from spectral window 0 and LR and RL from spectral window 1.

## 8 "Scan intent" Based Selection

"Scan intent" selection is based on the entries in the "OBS\_MODE" column of the "STATE" sub-table, as described in the Railroad diagram format in Table 7. The main table of a Measurement Set has the "STATE\_ID" column containing the row number of the "STATE" sub-table appropriate for each row in the main table. The "OBS\_MODE" column of the STATE sub-table contains strings describing the observational intent. These intents are referred to as "scan intents" and the scan-intent expressions in the `MSSelection` module can be used for data selection based on these intents.

Table 7: Railroad diagrams for the syntax of scan-intent expression.

Syntax of	Railroad Diagram
Scan Intent expression	<pre> graph LR     Start(( )) --&gt; RANGE     RANGE --&gt; STRING     STRING --&gt; REGEX     REGEX --&gt; AMP("&amp;")     AMP --&gt; COMMA(",")     COMMA --&gt; RANGE     RANGE --&gt; COMMA     STRING --&gt; COMMA     REGEX --&gt; COMMA     COMMA --&gt; End(( ))     </pre>

### 8.1 Syntax

The scan-intent selection expression is a comma-separated list of specifications. Each specification can be a string (section 1.4) , an integer or an integer range (section 1.2). As in other such expressions, a range  $[N0, N1]$  can be specified as  $N0 \sim N1$  (see Section 1.2). String (section 1.4) can be regular expressions or patterns or quoted-strings for as-is matching (see Section 1.4).

A single scan can have multiple scan-intents represented by a comma-separated list of strings like "CALIBRATE\_BANDPASS.UNSPECIFIED,CALIBRATE\_AMPLI.UNSPECIFIED". Each of these comma-separated components are referred to as the scan-intent components. All string specifications in scan-intent expression are matched against *each* of these comma-separated components. Scans with *any* of the scan-intent components matching the string(s) in the scan-intent expression are selected. E.g. `scanintent=*CAL*, *BAND*` will select all scans which have the strings "CAL" or "BAND".

To allow selection based on scan-intent components, scan-intent selection specifications can also be ampersand-separated (' & ') list strings. Only those scans, at least one scan-intent components of which match *all* the ampersand-separated components are selected. E.g. `scanintent=*CAL* & *BAND*` will select only those scans the intent strings of which contain the strings "CAL" *and* "BAND". See Section 8.2 for more examples.

## 8.2 Examples

Table 8 shows an example-table of scan-intents. Table 9 shows a list of some scan-intent selection expressions and the corresponding list of selected scan numbers from Table 8.

Table 8: Example scan-intent table

Scan No.	Scan-intent strings
0	CALIBRATE_BANDPASS, CALIBRATE_PHASE
1	CALIBRATE_BANDPASS, CALIBRATE_AMPLI
2	CALIBRATE_BANDPASS, CALIBRATE_AMPLI, CALIBRATE_PHASE
3	AMPLI_UNSPECIFIED, PHASE_UNSPECIFIED

## 9 Scan/Sub-array Selection

Scan and sub-arrays selections are purely integer ID based selections. The syntax for the specification of both these is therefore identical.

### 9.1 Syntax

Scan and Sub-array selection specification is a single integer (INT) or a range (section 1.2) of integers(N0~N1). Scans and sub-arrays can also be selected via boolean expressions of the type ">INT", ">=INT", "<INT" or "<=INT"<sup>11</sup>.

Full expression is a comma-separated list of any of the above index specifications. E.g.

<sup>11</sup> *Programmers note:* The `getScanList()` (`getSubArrayList()` for sub-arrays) method will return the list generated from INT,INT,... or INT~INT or "<INT" specification. For ">INT" specification, the returned list will be number from INT part of ">INT" up to the `maxScans` (`maxArrays` for sub-arrays) set via `MSSelection::setMaxScan()` (`MSSelection::setMaxArray()` for sub-arrays). The default value of `maxScans/maxArrays` is `std::standard_limits<int>::max()` (i.e. the maximum value an integer can take on a machine). It is

Table 9: Examples of scan-intent selection expressions for intents shown in Table 8

Scan-intent selection expression	Selected scans	Remarks
CALI*	0,1,2	
*PHASE	0,2	Matches CALIBRATE_PHASE but not PHASE_UNSPECIFIED
*UNSPEC*	3	
*AMPLI, *PHASE	1,2	*AMPLI matches CALIBRATE_AMPLI; *PHASE matches CALIBRATE_PHASE
*AMP*	1,2,3	*AMP* matches CALIBRATE_AMPLI and AMPLI_UNSPECIFIED
*BAND & *PHASE	0,2	*BAND and *PHASE are simultaneous present for scans 0 and 2 only
AMP* & *PHASE*	3	*PHASE* matches scans 0,2,3. AMP* matches only scan 3.
*BAND & *PHASE* & *AMP*	2	Only scan that matches *BAND and *PHASE* and *AMP* is scan 2
*BAND & *PHASE*, AMPLI*	0,2,3	*BAND & *PHASE selects scans 0,2. AMPLI* selects scan 3

- scan=0, 1, 2, 3 selects scan numbers 0, 1, 2 and 3
- scan=0~3 selects scans in the range [0,3]
- scan=0~3, 4, 5 selects scans in the range [0,3] and scans 4 and 5
- scan=>5 selects all scans greater than 5
- scan=<5 selects all scans less than 5

## 10 Using MSSelection expressions in TaQL

The MSSelection module can be thought of as a compiler which compiles expressions written in MSSelection syntax into TaQL code. The module therefore can also be supplied

---

done this way since there is no efficient way of generating a list of SCAN/ARRAY IDs present in the data and ">INT" is an unbounded list of integers. The list of scans IDs in the data can be **probably** generated using the MSRange class - but I think it can be quite expensive. So if it is necessary to know the precise list of scans selected using the ">INT" specification, the application programs will have to use MSRange class to get the range in the data. An intersection of the list from MSRange and the list from MSSelection.getScanList() will be the actual selected scans (intersection of two CASA vectors can be done using the set.intersection() global method in MSSelectionTools.h).

pure-TaQL expressions which are used as-is along with any of the `MSSelection` expressions. Internally, the pure-TaQL expression will be treated as just another `MSSelection` expression.

While it is natural to be able to use TaQL expressions via the `MSSelection` module for selection on an MS, it is also possible to embed `MSSelection` expressions in TaQL expressions via the `MSCal` user-defined functions (UDF). E.g. in a TaQL expression like the following

```
select from MS where mscal.baseline('sel1') || mscal.baseline('sel2')
```

`sel1` and `sel2` can be `MSSelection` `baseline` (section 3). Other types of selection are also similarly possible (e.g. selection on Time, Frequency, Scan, etc.) via TaQL.



## A Appendix: API Note - General Error Handling

The `MSSelection` sub-system reports errors via the C++ exception mechanism. `MSSelectionError` is the base class of the objects used to report exceptions. The class diagram for the objects thrown is shown in Fig. 2.

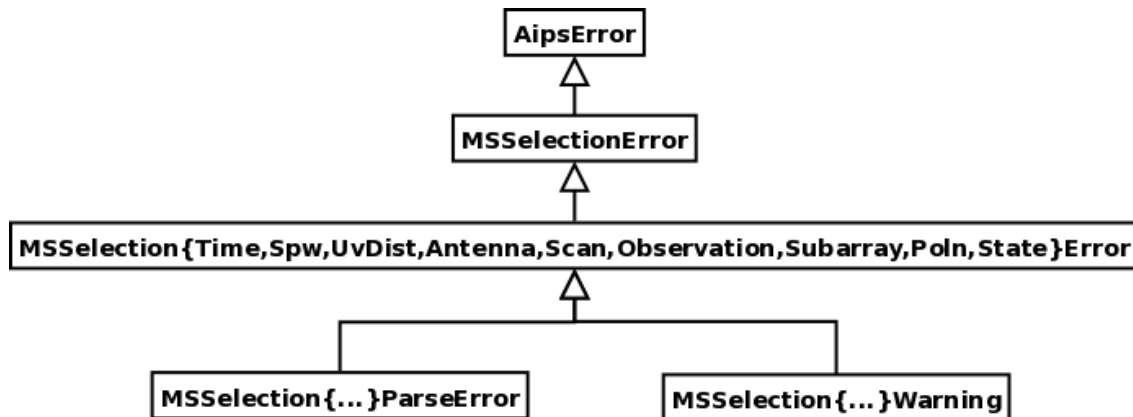


Figure 2: Class diagram for the objects used for error reporting via C++ exceptions in the `MSSelection` module.

All parsing errors are reported by throwing the `MSSelection{Time, Spw, Field, UvDist, Antenna, Scan, Subarray, Poln, State}ParseError` exception. All other forms of errors (e.g. illegal range (section 1.2) specification  $N_0 \sim N_1$  where  $N_0 > N_1$ ) are reported by throwing an exception of type `MSSelection{Time, Spw, Field, UvDist, Antenna, Scan, Subarray, Poln, State}Error`.

Hence, to catch all errors thrown from the `MSSelection` sub-system, catch the `MSSelectionError` object. For more specific exception handling, catch the more qualified `MSSelection*Error` objects. For catching only parsing errors, catch the `MSSelection*ParseError` object. As is obvious, any un-caught exception from the `MSSelection` sub-system will be caught in the `AipsError` catch block.

The exceptional error message consists of a human understandable one-line description of the error, the string which caused the error and the possible location in the string of the erroneous character. E.g.

```
Spw Expression: No match found for "LBAN" (near char. 4 in string "LBAN")
```

### A.1 Installing Error Handlers

The normal (default) behavior of the parsers is to throw an exception when an error is encountered during parsing cycle or in the rule-resolution code. However there are cases where instead of throwing an exception, the errors must be collected as they occur and resolution of the error done at the end of the parsing cycle. In the `MSSelection` module, this is achieved by installing an error handler object of type `MSSelectionErrorHandler`<sup>13</sup>(the

<sup>12</sup>[http://casa.nrao.edu/active/docs/doxygen/html/classcasa\\_1\\_1MSSelectionError.html](http://casa.nrao.edu/active/docs/doxygen/html/classcasa_1_1MSSelectionError.html)

<sup>13</sup>[http://casa.nrao.edu/active/docs/doxygen/html/classcasa\\_1\\_1MSSelectionErrorHandler.html](http://casa.nrao.edu/active/docs/doxygen/html/classcasa_1_1MSSelectionErrorHandler.html)

base-class) in the instance of the `MSSelection` object. This is the object that is used internally to handle errors in the `MSSelection` module. The default error handler that comes pre-installed simply throws an exception of the appropriate kind when an error is encountered, recreating the normal behaviour of the C++ exception handling mechanism.

To collect errors (and the error messages generated in the process) as they occur for later resolution, the client-side code can install a specialization of the error handler of type `MSSelectionLogError`, a derivative of the `MSSelectionErrorHandler`, using the `MSSelection` method, as shown in the Listing 1.

Listing 1: Code snippet showing use of external error handlers.

```

1      MS ms (MSNBuf, TableLock (TableLock::AutoNoReadLocking));
2      //
3      // Setup the MSSelection thingi
4      //
5      MSSelection msSelection;
6      MSSelectionLogError mssLE;
7      msSelection.setErrorHandler (MSSelection::ANTENNA_EXPR, &mssLE);
8      msSelection.reset (ms, MSSelection::PARSE_NOW,
9                          timeStr, baselineStr, fieldStr, spwStr,
10                         uvdistStr, taqlStr, polnStr, scanStr, arrayStr,
11                         stateObsModeStr, observationStr);

```

At the appropriate place in the client code, a call to `MSSelectionErrorHandler::reportError()` can be made to display the collected error messages as warning messages. This behavior can be changed in a specialization of the `MSSelectionErrorHandler` class by overloading the `reportError` method.

This mechanism of error handling is currently available for ANTENNA and STATE (a.k.a. “intent selection”) selection expressions only.

## B Appendix: API Note - Using the `MSSelection` module for other MS-like Tables

The `MSSelection` module was originally written to provide a higher-level, simpler language called STaQL (Simpler TaQL) specifically for applying selection on Measurement Sets. Parsers in the `MSSelection` module compile the various STaQL expressions and emit the equivalent tree of Table Expression Nodes (TEN), which is then used by the `MeasurementSet` class to generate a selected Table containing rows from the original Table for which the supplied TEN evaluates to True.

The information required to compile the STaQL expressions is derived from various sub-tables of the Measurement Set format (e.g. the `ANTENNA` sub-table, `SPECTRAL_WINDOW` sub-table, etc.). Since the `MeasurementSet` class is a specialization of the `Table` class and uses the services of the `Table` class to do the selection, in principle, STaQL can be used for any database that follows the general Table structure of the Measurement Set format. We refer to classes/objects which provide such a view of the underlying data as MS-like objects/classes. To use the `MSSelection` module for selection, the basic requirement is that the MS-like formats be organized as pseudo-relational database (like the Measurement Set) where *most* of the main-table entries are references to the rows of sub-tables. The information that these main-table entries represent resides in these much smaller sub-tables.

Since there may be minor differences in the details of the target databases (e.g. names of the sub-tables, or even absence of some required sub-tables which can be generated on-the-fly), the `MSSelection` module provides an interface to the database via a translation class inherited from the pure-virtual base-class of type `MSSelectableTable`<sup>14</sup>. The `MSSelectableTable` class provides a uniform interface for the `MSSelection` class(es) and does any required translation to interface with the database classes. This also allows the client database related classes to exist outside the `CASACore` package. The inheritance tree of the `MSSelectableTable` line of classes is shown in Fig. 3.

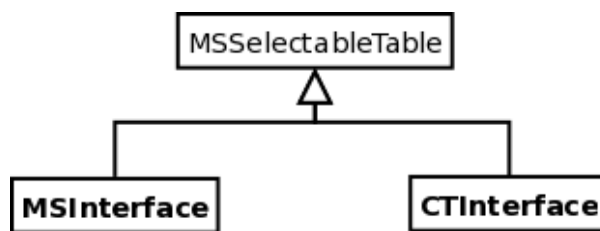


Figure 3: Class diagram of the implementations of the `MSSelectableTable` pure-virtual base-class.

For using the `MSSelection` module on the Measurement Sets, the `MSInterface` object can be constructed from the `MeasurementSet` object and passed to the `MSSelection` object as shown in Listing 2.

Listing 2: Code snippet showing usage of `MSSelection` for Measurement Sets.

```
1 MS ms (MSName, TableLock (TableLock::AutoNoReadLocking));
```

<sup>14</sup>[http://casa.nrao.edu/active/docs/doxygen/html/classcasa\\_1\\_1MSSelectableTable.html](http://casa.nrao.edu/active/docs/doxygen/html/classcasa_1_1MSSelectableTable.html)

```

2      //
3      // Setup the MSSelection thingi
4      //
5      MSInterface msLike(ms);
6      MSSelection msSelection;
7      MSSelectionLogError mssLE;
8      msSelection.setErrorHandler(MSSelection::ANTENNA_EXPR, &mssLE);
9      msSelection.reset(msLike, MSSelection::PARSE_NOW,
10                      timeStr, baselineStr, fieldStr, spwStr,
11                      uvdistStr, taqlStr, polnStr, scanStr, arrayStr,
12                      stateObsModeStr, observationStr);

```

Another method of using the `MSSelection` class is to set the individual expressions, get the TEN via the `MSSelection::toTableExprNode()` method and finally use the global method `getSelectedTable()` to apply the selection. This style of usage is shown in Listing 3. While for Measurement Sets the `MSSelection::reset()` method also works with `MeasurementSet` object, for future compatibility reasons it is recommended that the `MSInterface` be used instead.

## B.1 Using `MSSelection` for `CalTables`

The `MSSelection` module can be used for selection on `CalTables`<sup>15</sup>, which are implemented in the synthesis module of the CASA package, via the interface object of type `CTInterface`.

To use the `MSSelection` module for selection on `(New)CalTable` object, the only difference from the code snippet above, is that a `CTInterface` object needs to be constructed (instead of the `MSInterface` object) from the `(New)CalTable` class of the synthesis module. The `CTInterface` object can be supplied to the `MSSelection` object via the `reset()` method. Alternatively, various expressions can be set in the `MSSelection` object and the `CTInterface` object supplied via the `MSSelection::toTableExprNode()` method which returns the tree of TENs. The tree can then be used to get a selected `CalTable` as shown in Listing 3.

Listing 3: Code snippet showing usage of `MSSelection` for `(New)CalTables`.

```

1  NewCalTable calTab(CalName), selectedCalTable(calTab);
2  CTInterface msLike(calTab);
3  MSSelection mss;
4  MSSelectionLogError mssLE;
5  mss.setErrorHandler(MSSelection::ANTENNA_EXPR, &mssLE);
6
7  mss.setFieldExpr(fieldStr);
8  mss.setAntennaExpr(antennaStr);
9  mss.setSpwExpr(spwStr);
10
11 TableExprNode ten=mss.toTableExprNode(&msLike);
12 //
13 // Now use the global method getSelectedTable() to apply the TEN on the calTab
14 // parameter and return the selected table in selectedCalTable parameter.

```

<sup>15</sup>[http://casa.nrao.edu/active/docs/doxygen/html/classcasa\\_1\\_1CalTable.html](http://casa.nrao.edu/active/docs/doxygen/html/classcasa_1_1CalTable.html)

```
15 //  
16 getSelectedTable(selectedCalTable, calTab, ten, "");
```

## C Appendix: Usage Examples

Table 10: Summary of the MS used

FIELDID	SPWID	NChan	Pol	NRows	Source Name
0	0	127	RR	10260	0530+135
1	0	127	RR	779139	05582+16320
2	0	127	RR	296190	05309+13319
3	0	127	RR	58266	0319+415
4	0	127	RR	32994	1331+305
5	1,2	1	RR,RL,LL,RR	23166	KTIP

### C.1 Example 1

```
-----
Select field IDs 0,1,2 and field Named KTIP
Time range: 25/22:40:0 to 26/03:30:0
Baselines: All baselines between antennas named "1" to "10"
Spw: 0 Channels: 10 to 30 in steps of 1
-----
```

```
sbhatnag@atlas>mssplit
mssplit>inp
ms          = ~/Data/CASATest/G192/g192_a.ms
outms       = tt.ms
field       = 0~2,KTIP
time        = 25/22:40:0 ~ 26/03:30:0
spw         = 0:10~30
baseline    = 1~10&
scan        =
array       =
uvdist      =
mssplit>go
Ant1 = [21, 10, 17, 4, 24, 3, 11, 0, 23, 6]
Ant2 = [21, 10, 17, 4, 24, 3, 11, 0, 23, 6]
Field= [0, 1, 2, 5]
SPW   = [0]
Chan  = [10, 30, 1]
Scan  = []
Array = []
UVRange = Axis Lengths: [2, 0] []
UV in meters = []
Number selected rows: 99819
```

## C.2 Example 2

```
-----
Select field Named K* (wild card usage)
  Time range: 25/22:40:0 to 26/03:30:0
  Baselines: All baselines between antennas named "1" to "10"
  Spw: All available channels for spw 1 and 2
-----
```

```
sbhatnag@atlas>mssplit
ms          = ~/Data/CASATest/G192/g192_a.ms
outms       = tt.ms
field       = K*
time        = 25/22:40:0 ~ 26/03:30:0
spw         = 1,2
baseline    = 1~10&
scan        =
array       =
uvdist      =
mssplit>go
Ant1 = [21, 10, 17, 4, 24, 3, 11, 0, 23, 6]
Ant2 = [21, 10, 17, 4, 24, 3, 11, 0, 23, 6]
Field= [5]
SPW    = [1, 2]
Chan   = SPW 1 : Channels [0, 0, 1]
        SPW 2 : Channels [0, 0, 1]
Scan   = []
Array  = []
UVRange = Axis Lengths: [2, 0] []
UV in meters = []
Number selected rows: 2376
```

## C.3 Example 3

```
-----
Select field Named K* (wild card usage)
  Time range: 25/22:40:0 to 26/03:30:0
  Baselines: All baselines between antennas *named* "1" to "10"
  Spw: SPW ID 0
-----
```

No data should be selected

```
-----
sbhatnag@atlas>mssplit
ms          = ~/Data/CASATest/G192/g192_a.ms
outms       = tt.ms
field       = K*
-----
```

```

time          = 25/22:40:0 ~ 26/03:30:0
spw           = 0
baseline      = 1~10&
scan         =
array        =
uvdist       =
mssplit>go
Ant1 = [21, 10, 17, 4, 24, 3, 11, 0, 23, 6]
Ant2 = [21, 10, 17, 4, 24, 3, 11, 0, 23, 6]
Field= [5]
SPW  = [0]
Chan = SPW 0 : Channel [0, 126, 1]
Scan = []
Array = []
UVRange = Axis Lengths: [2, 0] []
UV in meters = []
Number selected rows: 0

```

## C.4 Example 4

```

-----
Select field Named K* (wild card usage)
      Time range: 25/22:40:0 to 26/03:30:0
      Baselines: All baselines between antennas *named* "1" to "10"
      Spw:      SPW ID 1
-----

```

```

sbhatnag@atlas>mssplit
ms          = ~/Data/CASATest/G192/g192_a.ms
outms       = tt.ms
field       = K*
time        = 25/22:40:0 ~ 26/03:30:0
spw         = 1
baseline    = 1~10&
scan        =
array       =
uvdist      =
mssplit>go
Ant1 = [21, 10, 17, 4, 24, 3, 11, 0, 23, 6]
Ant2 = [21, 10, 17, 4, 24, 3, 11, 0, 23, 6]
Field= [5]
SPW  = [1]
Chan = SPW 1 : Channels [0, 0, 1]
Scan = []
Array = []
UVRange = Axis Lengths: [2, 0] []

```



```
UV in meters = []
Number selected rows: 1188
```

## C.5 Example 5

```
-----
Select field Named K* (wild card usage)
    Time range: 25/22:40:0 to 26/03:30:0
    Baselines: Between antennas "1" to "3" and "4" to "6"
    Spw: SPW ID 1
-----
```

```
sbhatnag@atlas>mssplit
ms          = ~/Data/CASATest/G192/g192_a.ms
outms       = tt.ms
field       = K*
time        = 25/22:40:0 ~ 26/03:30:0
spw         = 1
baseline    = 1,2,3&4,5,6
scan        =
array       =
uvdist      =
mssplit>go
Ant1 = [21, 10, 17]
Ant2 = [4, 24, 3]
Field= [5]
SPW   = [1]
Chan  = SPW 1 : Channel [0, 0, 1]
Scan  = []
Array = []
UVRange = Axis Lengths: [2, 0] []
UV in meters = []
Number selected rows: 198
```

## C.6 Example 6

```
-----
Select field Named K* (wild card usage)
    Time range: 25/22:40:0 to 26/03:30:0
    Baselines: Error in antenna specification
    Spw: All spectral windows
-----
```

```
sbhatnag@atlas>mssplit
ms          = ~/Data/CASATest/G192/g192_a.ms
outms       = tt.ms
```

```

field      = K*
time       = 25/22:40:0 ~ 26/03:30:0
spw        = 1
baseline   = 1~3 & $~6
uvdist     =
mssplit>go
###AipsError: Antenna Expression: Parse error at or near '$' (near
char. 7 in string "1~3 & $~6")

```

## C.7 Example 7

---

```

Select field Named K* (wild card usage)
      Time range: 25/22:40:0 to 26/03:30:0
      Baselines: Use antenna ranges
      Spw: 1
      UVRange: [0,5000] K-Lambda

```

---

```

sbhatnag@atlas>mssplit
ms      = ~/Data/CASATest/G192/g192_a.ms
outms   = tt.ms
field   = K*
time    = 25/22:40:0 ~ 26/03:30:0
spw     = 1
baseline = 1~3 & 4~6
scan    =
array   =
uvdist  = 0~5klambda
mssplit>go
Ant1 = [21, 10, 17]
Ant2 = [4, 24, 3]
Field= [5]
SPW   = [1]
Chan  = SPW 1 : Channel [0, 0, 1]
Scan  = []
Array = []
UVRange = [0, 5000] lambda
Number selected rows: 33

```

## C.8 Example 8

---

```

Select field Named K* (wild card usage)
      Time range: 25/22:40:0 to 26/03:30:0

```

```

Baselines: Baselines between antennas "1" to "3" and "4" to "6"
           and baseline "10"- "11"
Spw: 1
UVRange: [0, 5000] K-Lambda

```

---

```

sbhatnag@atlas>mssplit
ms          = ~/Data/CASATest/G192/g192_a.ms
outms       = tt.ms
field       = K*
time        = 25/22:40:0 ~ 26/03:30:0
spw         = 1
baseline    = 1~3 & 4~6 ; 10&11
scan        =
array       =
uvdist      = 0~5klambda
mssplit>go
Ant1 = [21, 10, 17, 6]
Ant2 = [4, 24, 3, 1]
Field= [5]
SPW   = [1]
Chan  = SPW 1 : Channel [0, 0, 1]
Scan  = []
Array = []
UVRange = [0, 5000] lambda
Number selected rows: 33

```

## C.9 Example 9

```

-----
Select field Named K* (wild card usage)
Time range: Error in range operator
Baselines: Baselines between antennas "1" to "3" and "4" to "6"
Spw: All spectral windows
UVRange: [0, 5000] K-Lambda

```

---

```

sbhatnag@atlas>mssplit
ms          = /home/rohir3/sanjay/CASATests/G192.ms/
outms       = tt.ms
field       = K*
time        = 25/22:40:0 - 26/03:30:0
spw         = 1
baseline    = 1~3 & 4~6 ; 10&11
scan        =
array       =
uvdist      = 0~5klambda

```

```
mssplit>go
First selected timestamp = 26-Apr-2003/03:20:45.0
###MSSelectionError: MSSelection time error: Parse error at or near
token '-' (near char. 12 in string "25/22:40:0 - 26/03:30:0")
(Did you know we use "~" as the range operator (for a good reason)?)
```